

ZL-1908 *Zwei L* Stainless Steel Push Knob

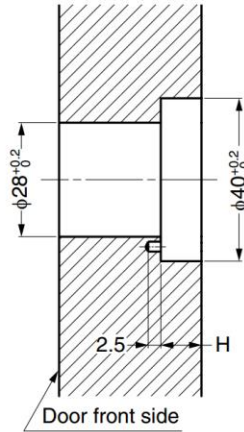
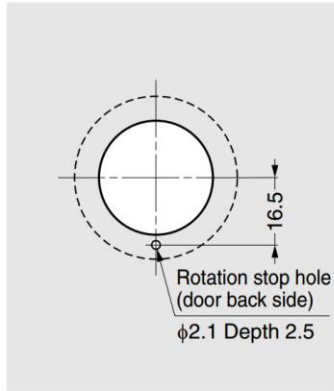
Features

- Knob can be pushed in when not in use
- Flushed to door / panel surface
- Superior "Zwei L Finish" - *Zwei L* represents the very pinnacle of ultra-premium Japanese hardware design. The contrasting bands of mirror finish and lustrous satin on a faceted profile give a jewel like finish that highlights and enhances any industrial design

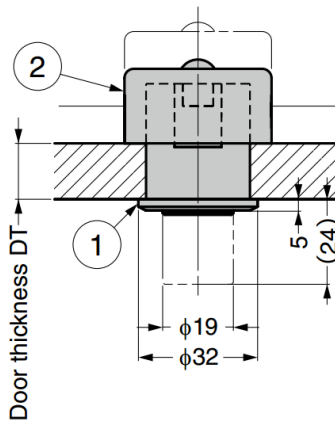
Parts Included

- Truss head screw M3 × 25 (SUS)

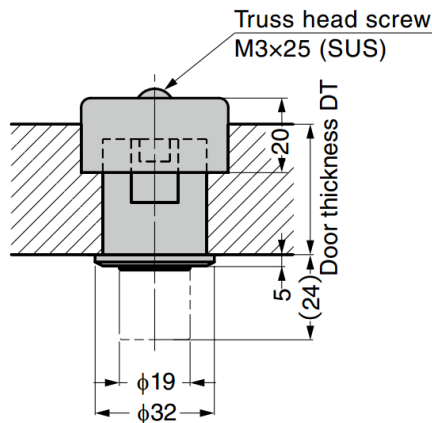
Cut Out Dimensions



Door Thickness 13 ~ 23



Door Thickness 24 ~ 33



No.	Part Name	Material	Finish / Colour
①	Body	Stainless Steel (SUS316)	Zwei L Finish
②	Cap	ABS	Black

Part No.	Door Thickness	Bore Depth
ZL-1908	13 ~ 33	DT 13 ~ 23: None (ø28 Hole), DT 24 ~ 33: H = DT - 23